

Datasheet

Si-522 EN

LDC, Locking Device Close position Somas Actuators

Edition: 2021-04

- Locks the actuator in closed position
- Easy to use
- Easy to install





Copyright

The copyright on this installation and maintenance datasheet is held by Somas Instrument AB. The instructions and drawings contained may not be fully or partially copied, distributed or used in any unauthorized way for competitive purposes or passed on to others.

Sales and distribution

Somas Instrument AB
P.O. Box 107
SE-661 23 SÄFFLE, Sweden
Visiting address: Norrlandsv. 26-28

Phone: +46 533 69 17 00
Mail to: sales@somas.se
Internet: www.somas.se



Product Information

Somas actuators are designed to be the best in control and on/off applications. The type A pneumatic actuators are specifically made to fit the Somas range of valves. They can also be used with most 90° rotary valves.

Somas LDC is a locking device that enables locking of the actuator in closed position for additional safety during operation and repair. Somas LDC is offered for actuator type DA and SC. It is possible to retrofit the LDC on an existing actuator.

Dimensions of the locking unit see manual Mi-522.

Dimensions for each actuator see datasheet Si-503.

Actuator type A-lockable design (LDC)

The actuator units can be equipped with locking flanges in order to lock the valve in closed position.

The pictures shows (→ Pic.1) actuator in locked position and (→ Pic.2) actuator in unlocked position.

The locking flange can be mounted afterwards on existing units. Are delivered as AISI 316L and is ATEX approved.



Pic.1 Locked position

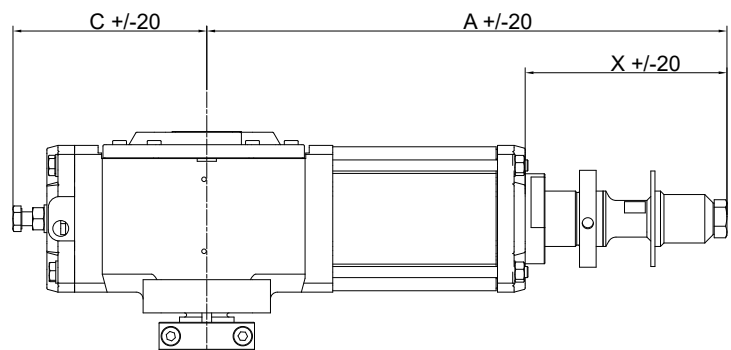


Pic.2 Unlocked position

Measures of Actuators with locking device

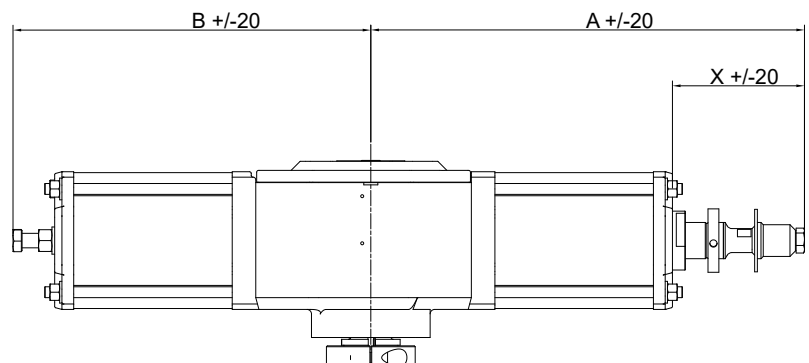
Actuator type DA, double acting

Typ	A	B	C	X
A11-F07	345	-	90	145
A13-F07	365	-	90	145
A21-F10	375	-	140	145
A22-F10	375	260	-	145
A23-F10	400	-	140	145
A24-F10	400	310	-	145
A31-F14	480	-	215	145
A32-F14	480	395	-	145
A33-F14	575	-	215	145
A34-F14	595	485	-	145
A41-F16	675	-	315	145
A42-F16	675	560	-	145
A43-F16	760	-	315	160
A44-F16	760	695	-	160
A51-F30	825	-	370	160
A52-F30	825	760	-	160



Actuator type SC, single acting, spring close

Typ	A	B	C	X
A13-F07	365	-	90	145
A23-F10	515	-	140	145
A24-F10	505	420	-	145
A33-F14	790	-	215	145
A34-F14	790	680	-	145
A43-F16	1005	-	315	160
A44-F16	1005	935	-	160



X= Length of locking device. Measure may vary depending of adjustment



Somas.se



LinkedIn

Concern and head office:

Somas Instrument AB Norrlandsvägen 26
SE-661 40 SÄFFLE Sweden

Phone: +46 (0)533 69 17 00

E-mail: sales@somas.se

www.somas.se

