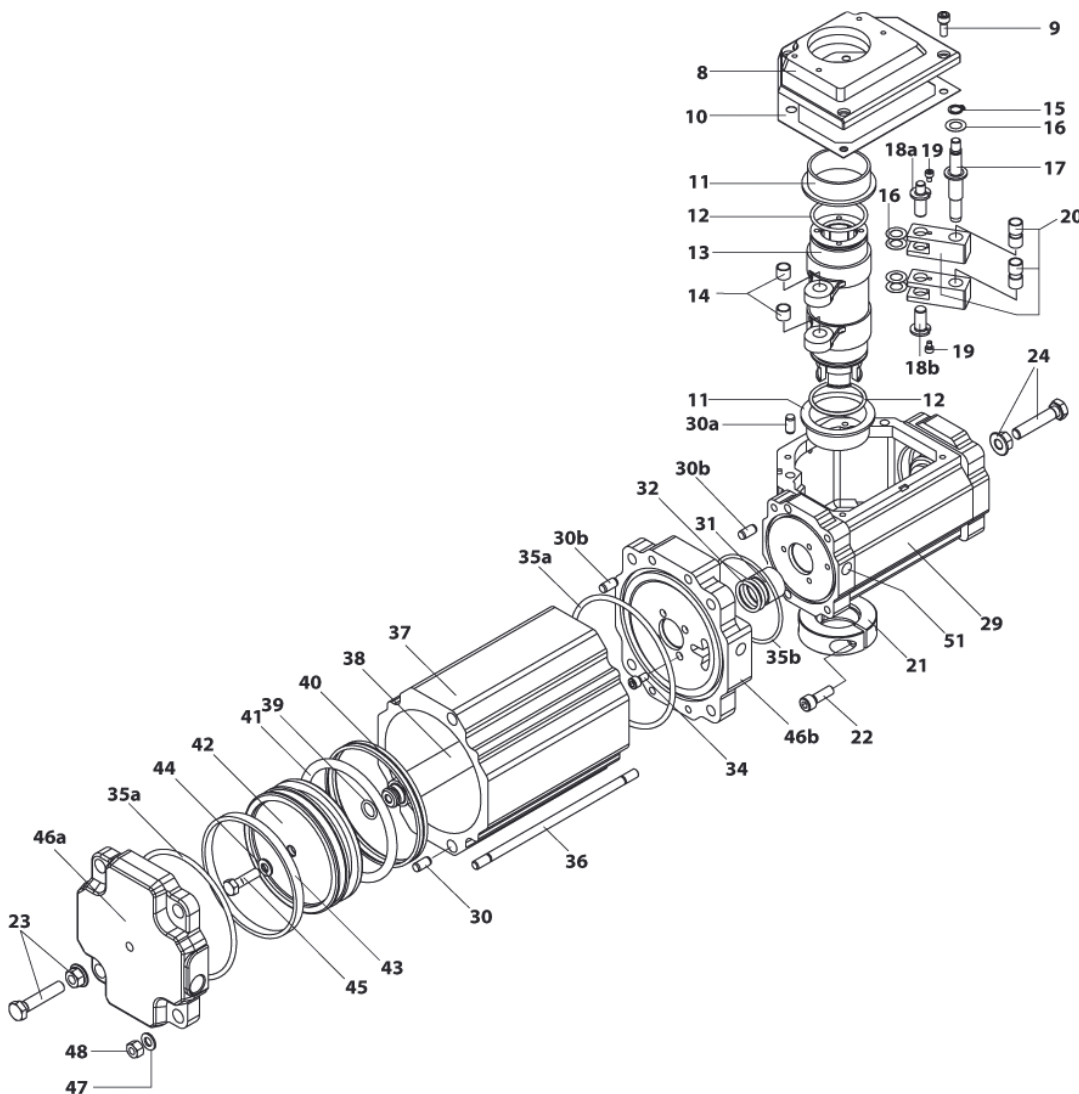


Actuator type A - High Temperature design and vibration resistant design
Ställdon typ A - Högtemperatur- och vibrationssäkert utförande



Item No.	Q'ty.	Detail No.	Description	Benämning	Material	Reference Standard
Pos. nr.	Antal	Detalj nr.				
8	1	38926	Cover	Lock	SS 4253	
9	4	14018	Screw, M5x12	Skruv, MC6S M5x12	A4	SS-ISO 4762
10	1	32872	Gasket	Packning	Vegetable fibre	
11	2	33385	Bearing	Bussning	PDE-F	
12	2	36293	O-ring, dia. 34.6x2.4	O-ring, Ø34,6x2,4	Viton	
13	1	33703	Lever, dia. 20, cpl.	Hävarm, Ø20, kpl.	SS 0732	
14	2	33813	Bushing	Glidlagerbussning		
15	1	33353	Locking ring, SGA 07	Spärring, SGA 07	Steel/Stål	
16	5	32913	Washer, 8x14x0.3	Bricka, PS 8x14x0,3	Steel/Stål	DIN 988
17	1	32851	Swivel bolt	Ledbult	1.4460	
18a	1	32856	Pivot pin, upper	Ledtapp, övre	1.4305	
18b	1	32857	Pivot pin, lower	Ledtapp, undre	1.4305	
19	2	34179	Screw, M4x4	Skruv, MCS M4x4	A4	SS-ISO 1207
20	2	33717	Link arm, cpl.	Länkarm, kpl.	SS 1914	
21	1	32904	Clamp ring	Klämring	1.4305	
	1	34208	Spring pin	Spännstift	A2	DIN 1481
22	2	14016	Screw, M6x16	Skruv, MC6S M6x16	A4	SS-ISO 4762
23	1	14387	Adjusting screw, M10x70	Ändlägesskruv, M6S M10x70	A4	SS-ISO 4017
	1	12511	Nut, M10	Mutter, M6M M10	A4	SS-ISO 4032
24	1	18374	Adjusting screw, M8x50	Ändlägesskruv, M6S M8x50	A4	SS-ISO 4017
	1	12510	Nut, M8	Mutter, M6M M8	A4	SS-ISO 4032
29	1	38927	Housing	Hus	SS 4253-07	
30a	4	32908	Cylindrical pin, 5x10	Cyl. pinne, 5x10	1.4305	
30b	6	32909	Cylindrical pin, 8x13	Cyl. pinne, 8x13	1.4305	
31	1	33480	Bearing	Bussning	PDE	
32	1	37340	Piston rod seal, cpl.	Kolvstängstättning, kpl.	PTFE&Viton	
34	4	14016	Screw, M6x16	Skruv, MC6S M6x16	A4	SS-ISO 4762
35a	2	36297	O-ring, dia. 80.0x3.0	O-ring, Ø80,0x3,0	Viton	
35b	1	36294	O-ring, dia. 64.2x2.4	O-ring, Ø64,2x2,4	Viton	
36	4	32882	Tie rod	Dragstäng	1.4305	
37	1	32769	Cylinder tube	Cylinderrör	6063-T6	
38	1	32930	Piston rod	Kolvstäng	SS 2142	
39	1	36291	O-ring, dia. 13.3x2.4	O-ring, Ø13,3x2,4	Viton	
40	1	32921	Piston seal	Kolvring	PTFE (10% carbon)	
41	1	13611	O-ring, dia. 67.5x5.7	O-ring, Ø67,5x5,7	Viton	
42	1	32778	Piston	Kolv	Aluminium	
43	1	33381	Guide band	Styrring	HiMod 61	
44	1	12519	Washer, dia. 8.4x16	Bricka, BRB Ø8,4x16	A4	DIN 125
45	1	12503	Screw, M8x20	Skruv, M6S M8x20	A4	SS-ISO 4017
46a	1	3278+	End cover	Gavel	SS 4253-07	
46b	1	327,	End cover	fj mre gavel	SS 4253-07	
47	4	12519	Washer, dia. 8.4x16	Bricka, BRB Ø8,4x16	A4	DIN 125
48	4	12510	Nut, M8	Mutter, M6M M8	A4	SS-ISO 4032
51	1	34230	Plug, R¼	Plugg, R¼		
		35631	Sealing kit	Tätningssats		
		35654	Repair kit	Rekonditioneringsats		

Item No. 10, 32, 35, 39, 40, 41 and 43 are included in the sealing kit.
Pos. nr. 10, 32, 35, 39, 40, 41 och 43 ingår i tätningssatsen.

Item No. 10, 11, 12, 14, 15, 16, 17, 18, 20, 31, 32, 35, 39, 40, 41 and 43 are included in the repair kit.
Pos. nr. 10, 11, 12, 14, 15, 16, 17, 18, 20, 31, 32, 35, 39, 40, 41 och 43 ingår i rekonditioneringsatsen.