

## Datasheet

# Manual actuators

Hand lever

Gear unit

## Si-502 EN

Edition: 2019-05

SOMAS manufactures quarter turn valves which can be opened or closed very quickly. It is not advisable in many systems to increase or decrease flow too rapidly and the use of a lever with valves – sizes larger than DN 80 – should be considered very carefully.

Use a worm gear in case of uncertainty.





## Hand lever

### Type HK115, HK125

Hand lever type HK115 is designed for use with ball segment and ball valves, sizes DN 25. The hand lever type HK125 is designed for use with ball segment valves, size DN 40-50 and ball valves DN 25-40. Both types have adjustable travel stops and can be locked in any position.

The hand lever type HK is made from stainless steel and is delivered unpainted.

See data sheets Si-101EN and Si-706EN (DN 25 – 40) for measurements.

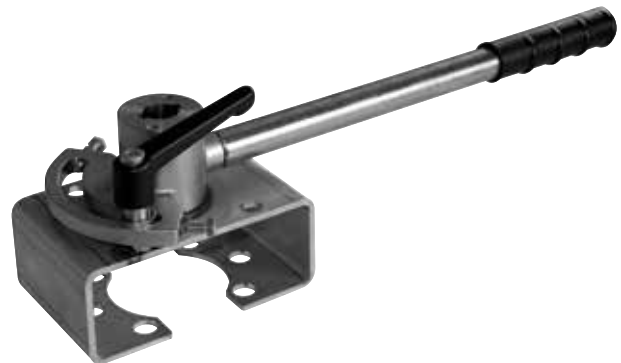


### Type HSR

Hand lever type HSR is designed for use with ball segment valve DN 65 – 150, butterfly valves DN 80 - 200 and ball valves (type SKV) DN 50. The lever has adjustable travel stop and can be locked in any position.

The hand lever type HSR is made from stainless steel and is delivered unpainted.

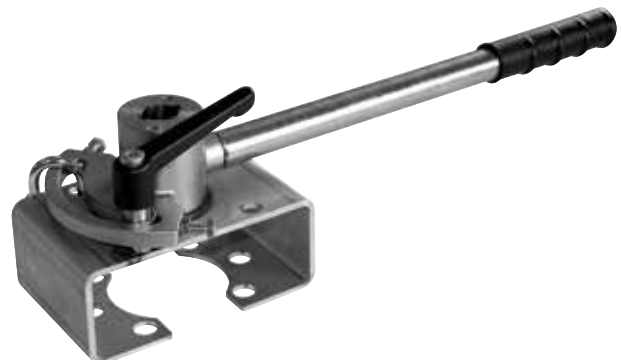
See data sheets Si-101EN, Si-110EN, Si-203EN, Si-205EN and Si-706EN (DN 50) for measurements.



## Option

### Hand lever – lockable design

The standard hand lever type HSR can be locked with a padlock the valve in closed or open position while HK115 and HK125 can be equipped with a locking device.



### Hand lever with limit switch

The hand levers can be equipped with limit switches and transmitters for electrical indication.

Check with SOMAS to get more information about the selection of switches.





## Gear unit

The gear unit is designed for use with all types of SOMAS valves. It is available in several sizes in order to cover all valve dimensions.

The gear unit has adjustable travel stops and shows the valve position by an indication on top of the gear.

The gear unit is flush tight and is epoxy coated.

See the data sheet for each valve to get the correct measurements.



## Option

### Gear units for marine applications

Gear units for “on-deck” applications are painted according to the company Jotun and the specification “BSK-99 Corrosion Class C5 M, type code 57.09”. See also the SOMAS data sheet Ti-918 for more information.

In protection class IP67. Suitable for “on-deck” applications, oil rigs and land-based installations. In version with heat treated handwheel-shaft.



### Gear unit – lockable design

The gear units can be equipped with locking device in order to lock the valve in any position.

The picture shows the gear in locked position; closed valve.

The locking device can be mounted afterwards on existing units.



### Gear unit with limit switch

The gear units can be equipped with limit switches and transmitters for electrical indication.

Check with SOMAS to get more information about the selection of switches.





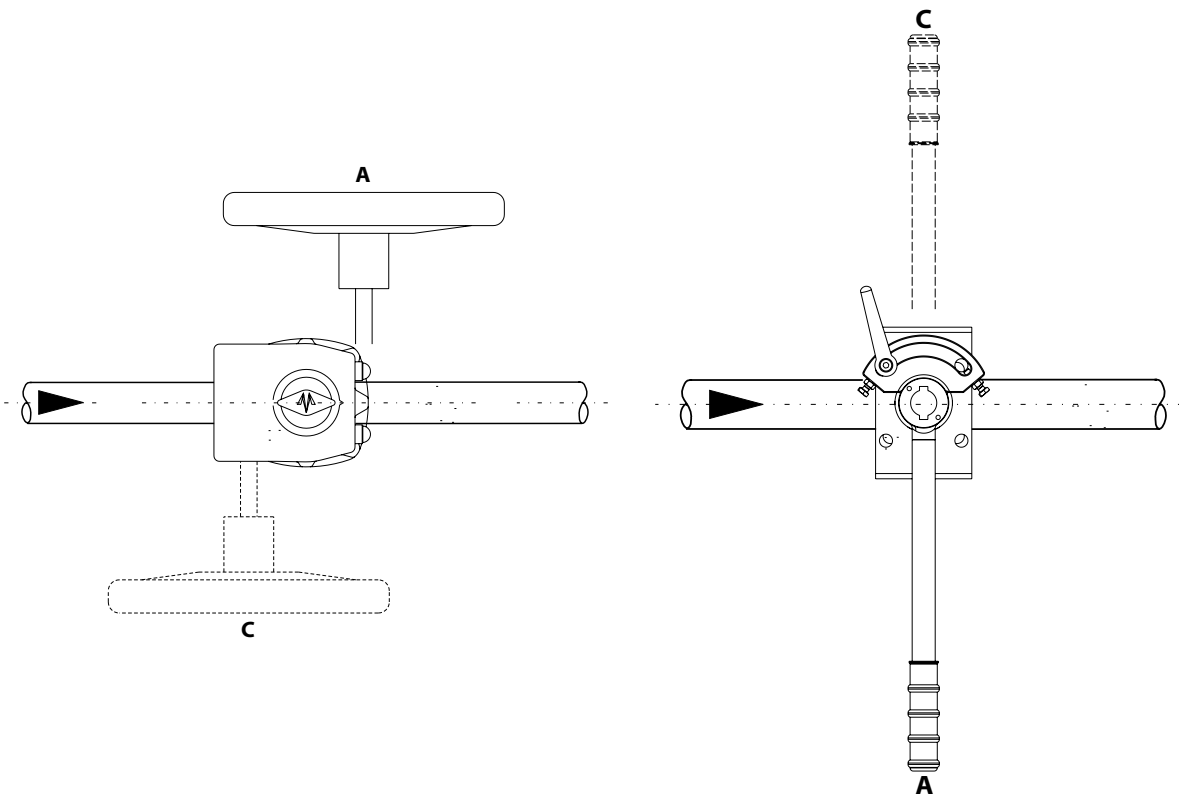
## Mounting

The standard mounting for hand lever and gear unit is perpendicular to the pipeline as shown in position A (see figure).

Position C is available on request for hand lever and gear unit.

Always specify mounting position (A or C) when ordering.

The hand actuator is mounted in position A if the position is not stated.



*SOMAS reserves the right to make improvements without prior notice.*

